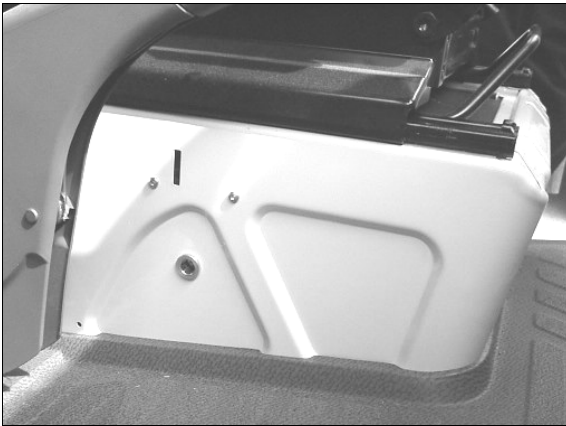


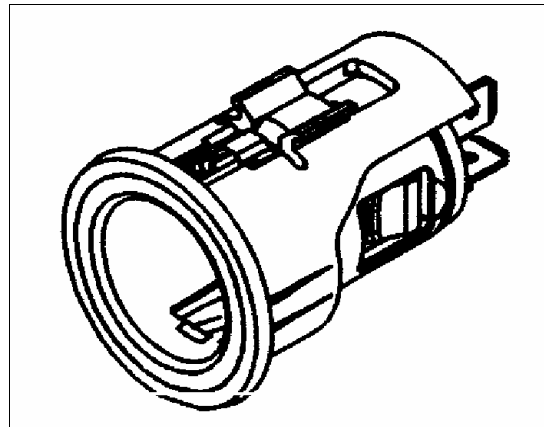


Retrofit Cigarette Lighter Style Power Outlet

Replacing the small “power outlet - driver seat base”
On Sprinter with Sales Code JJN



JJN Power Outlet



Cigarette Lighter Socket

PARTS:

| | |
|------------|----------------------|
| 05124456AA | socket, power outlet |
| 05124598AA | cap, power outlet |
| 04467709 | glue, “Bond-All-Gel” |

TOOLS:

1-1/16” hole saw

PROCEDURE:

1. Disconnect the cable from the negative battery post
2. Remove the driver seat
3. Mark drilling location offset 2” below the center of the original JJN power outlet

NOTE: Verify no components in the driver seat base will interfere with the installation of the socket. Choose another location if necessary.

4. Ensure that no wiring in the seat base may get damaged during drilling
5. Drill a 1-1/16” hole (at the mark) into the seat base using a hole saw
6. Deburr the edge of the hole



7. Check if the plastic sleeve (part of 05124456AA) fits into the hole and enlarge the hole using a sanding drum if necessary
8. Apply glue (04467709) onto the rim of the plastic sleeve and insert the sleeve into the hole
9. Insert the socket (part of 05124456AA) into the sleeve
10. Disconnect the wiring of the JJN power outlet and connect it to the new socket
11. Insert cap (05124598AA) into the socket
12. Reinstall the driver seat
13. Reconnect the negative battery post